

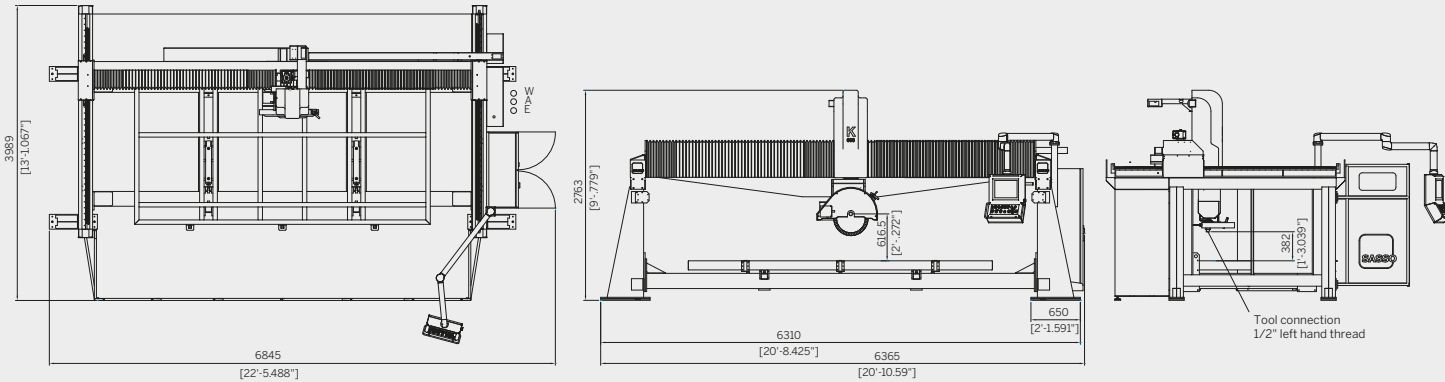
FROM 1974
Machines are built
solid as a rock



mindinjection

Technical specification

Technical data and pictures are not binding. Sasso reserves the right to make changes without notice. Speed and modality of cutting can vary according to the thickness and the type of material.



TECHNICAL DATA

Disc diameter min/max	inches	13,78 - 24,6	mm	350 - 625
Bench dimensions	inches	157,5 - 83,5	mm	4000 x 2120
X axis	inches	161,5	mm	4100
Y axis	inches	92,5	mm	2350
Z axis	inches	14,5	mm	370
Disc inclination	degrees	0° - 90°	gradi	0° - 90°
Spindle motor	kW	18,5	kW	18,5
Spindle rotation speed	rpm	800 - 5000	giri / min	800 - 5000
Water consumption	gal/min	10,5	lt/min	40
Approximate weight	lb	9260	kg	4200
Max consumption of compressed air	gal/min	132 at 87 psi	lt/min	500 a 6 bar
Max suction cup capacity	lb	1102	kg	500



Sassomeccanica SpA
Via del Lavoro, 2
63076 Monteprandone / Ap / Italy

T. +39 0735 650988
F. +39 0735 657741
info@sassomeccanica.it

www.sasso.it

09.2021 - VERS. 01 - EN



WITH
MANIPULATOR

K-600
EXTREME XL
CNC BRIDGE SAW



K-600
EXTREME XL
CNC BRIDGE SAW



Manipulator
lifting up to
500 kg

Productive in all directions

The entire K600 line is made-up of 5 Axis CNC saws. The machines are powerful, accurate, and reliable. They're ideal for straight, curved, and inclined cuts as well as profiling with either a blade or finger bit. These machines are SASSOMECCANICA's top product and are considered the most accurate and reliable in the market. The machine can be used in either the manual or automatic mode thanks to the SASSO software. The K600 XI versatility allows for a wide range of jobs cut quickly and accurately with great results from the start.



1 Made to last

Thanks to the robust structure made of hot galvanized steel and the superior design, the K600 machines are strong and made to last.

2 Accurate

Accurate The X and Y movements are made with linear bearings and helical rack and pinion in order to deliver speed and accuracy.

3 Reliable

The high quality and technologically advanced parts make the K600 a very reliable high performance machine that will stand the test of time.

4 Versatile

Easy or complex shapes are not a problem. The SASSOMECCANICA software is fast and versatile whether your making cuts with a blade or shapes with a finger bit.