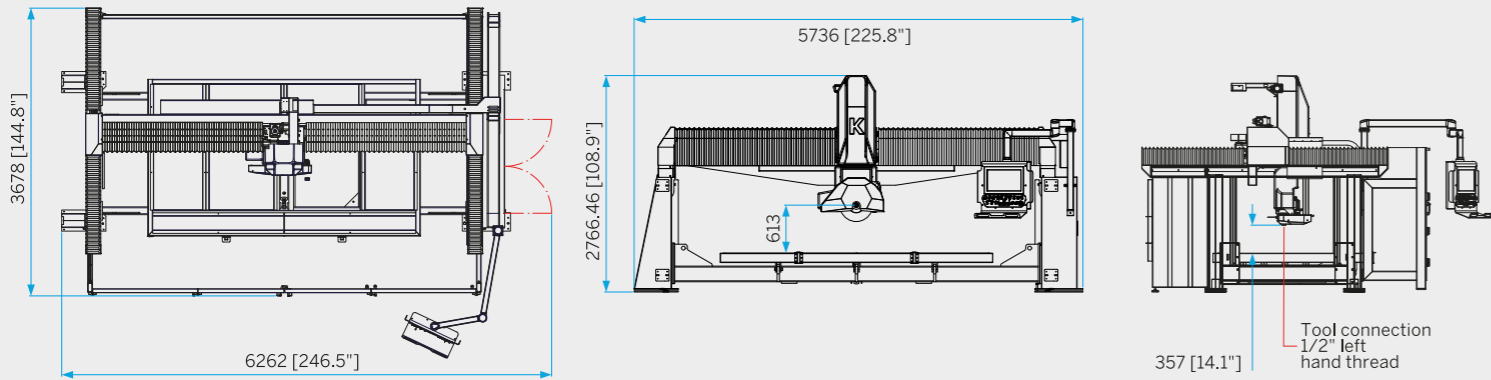




## Technical specification

Technical data and pictures are not binding. Sasso reserves the right to make changes without notice. Speed and modality of cutting can vary according to the thickness and the type of material.



### TECHNICAL DATA

Disc diameter min/max	inches	13,78 - 24,6	mm	350 - 625
Bench dimensions	inches	137,7 x 78,7	mm	3500 x 2000
X axis	inches	145,5	mm	3700
Y axis	inches	92,5	mm	2350
Z axis	inches	14,5	mm	370
Disc inclination	degrees	0° - 90°	degrees	0° - 90°
Spindle motor	Hp	18,5 (S6)	kW	18,5 (S6)
Spindle rotation speed	rpm	800 - 5000	rpm	800 - 5000
Water consumption	Us gal/min	10	lt/min	40
Approximate weight	lb	9150	kg	4150



## Constant technological innovation!

The K600 interpolated 5-axis CNC bridge saw that embodies the evolution, history and success of SASSOMECCANICA in the world further improves its performance. Compact, powerful, precise and reliable machine, ideal for linear, curved and angled cuts and for the realization of complex shapes, is considered among the most precise on the market. The monobloc structure with high rigidity, completely hot galvanized, has been redesigned to incorporate the electrical panel and make it even safer. Maximum performance in the smallest possible space and a new 21,5-inch screen control panel, place it among the most versatile and productive machines on the market.



### 1 Stable

Thanks to the new design made according to the customer needs and the robust structure in hot galvanized steel, the K600 ULTIMATE is even more solid and stable over time.

### 2 Precise

The movements on the X and Y axes are ensured by linear guides and high-tech helical racks that allow precise and fast machining.

### 3 Reliable

An 18.5 kw motor and avant-garde components guarantee the K600 ULTIMATE series power, reliability and high performance that last over time.

### 4 Versatile

The new control panel with 21.5-inch screen and the SASSOMECCANICA software, allow versatile and fast realization of cuts with blades of any kind and milling machining.